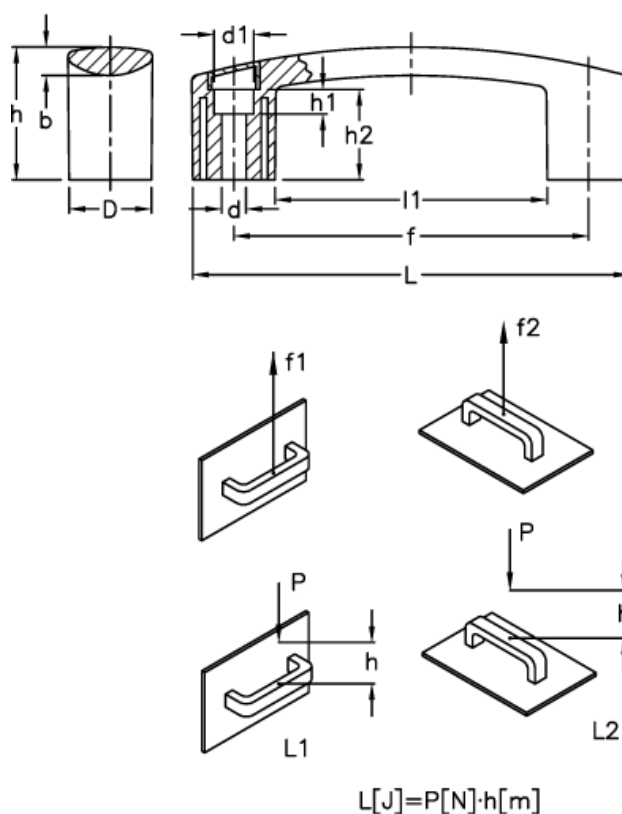


# Data Sheet



Article number: 23052602100  
Description: E+G Bridge handle  
EBP.140-6-C0 No cap

## Measures



b	= 8.5	h1	= 8.5
d	= 6.5	h2	= 26.5
D	= 26.0	L	= 144.0
d1	= 13.5	l1	= 92.0
f	= 117 +/-0,5	L1 (J)	= 10
F1 (N)	= 2700	L2 (J)	= 4
F2 (N)	= 1800		
h	= 39		